

Single-Ended, Analog-Input 24Bit, 96kHz Stereo ADC

■ FEATURES

- 24Bit Delta-Sigma Stereo ADC
- Single-Ended Voltage Input: 3 V_{p-p}
- High Performance
 - THD+N: -90dB (Typical)
 - SNR: 99dB (Typical)
 - Dynamic Range: 99dB (Typical)
- Flexible PCM Audio Interface
 - Master- or Slave-Mode Selectable
 - Data Formats: 24Bit I²S, 24Bit Left-Justified
- Power Down and Reset by Halting System Clock
- Analog Antialias LPF Included
- Sampling Rate: 8 kHz–96 kHz
- System Clock: 256 f_s, 384 f_s, 512 f_s
- Resolution: 24 Bits
- Dual Power Supplies
 - 5V for Analog
 - 3.3V for Digital
- TSSOP14 Package

■ APPLICATIONS

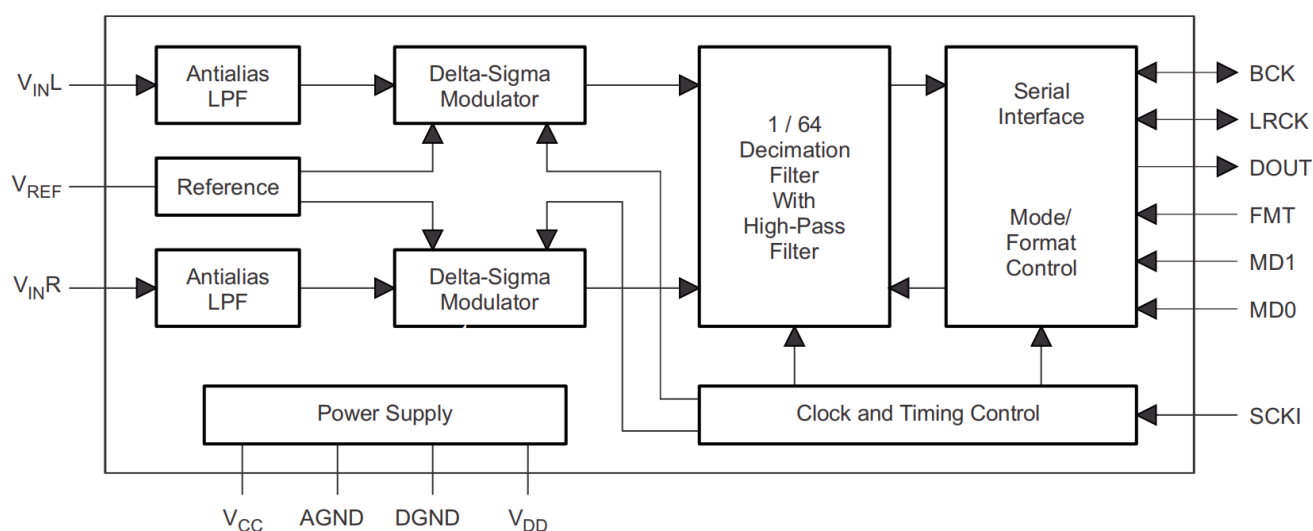
- DVD Recorder
- Digital TV
- AV Amplifier or Receiver
- MD Player
- CD Recorder
- Multitrack Receiver
- Electric Musical Instrument

■ DESCRIPTION

The HT91808 device is a high-performance, low-cost, single-chip, stereo analog-to-digital converter with single-ended analog voltage input. The HT91808 device uses a delta-sigma modulator with 64-times oversampling and includes a digital decimation filter and high-pass filter that removes the dc component of the input signal. For various applications, the HT91808 device supports master and slave mode and two data formats in serial audio interface.

The device is available in TSSOP14 package.

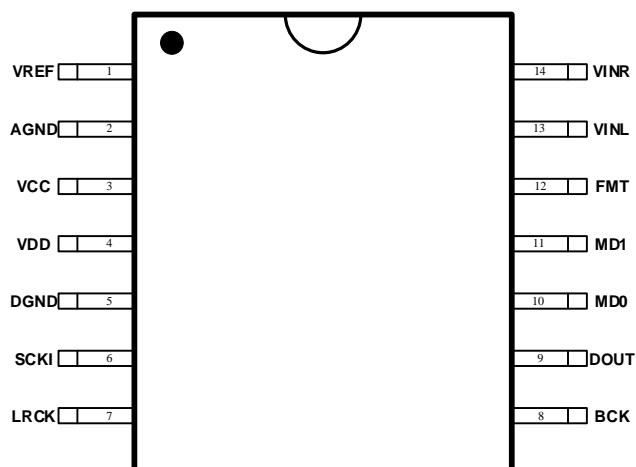
■ BLOCK DIAGRAM



Contents

■ FEATURES	1
■ APPLICATIONS.....	1
■ DESCRIPTION.....	1
■ BLOCK DIAGRAM	1
■ TERMINAL CONFIGURATION	3
■ TERMINAL FUNCTION	3
■ ORDERING INFORMATION	4
Ordering Number	4
Production Tracking Code	4

■ TERMINAL CONFIGURATION



TSSOP14 Top View

■ TERMINAL FUNCTION

Terminal No.	NAME	I/O ¹	Description
1	VREF	-	Reference-voltage decoupling (= 0.5 VCC).
2	AGND	-	Analog GND
3	VCC	-	Analog power supply, 5V
4	VDD	-	Digital power supply, 3.3V
5	DGND	-	Digital GND
6	SCKI	I	System clock input; 256 f _s , 384 f _s or 512 f _s ²
7	LRCK	I/O	Audio-data latch-enable input or output ³
8	BCK	I/O	Audio-data bit-clock input or output ³
9	DOUT	O	Audio-data digital output
10	MD0	I	Audio-interface mode select 0 ⁴
11	MD1	I	Audio-interface mode select 1 ⁴
12	FMT	I	Audio-interface format select ⁴
13	INL	I	Analog input, L-channel
14	INR	I	Analog input, R-channel

¹ I: input O: output G: GNDP: Power

² Schmitt-trigger input, 5V tolerant

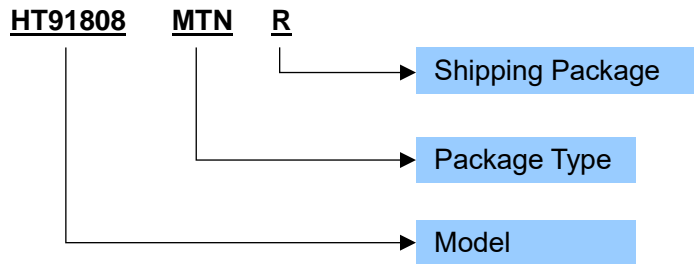
³ Schmitt-trigger input with internal pull-down (100-kΩ, typical)

⁴ Schmitt-trigger input with internal pull-down (100-kΩ, typical), 5V tolerant

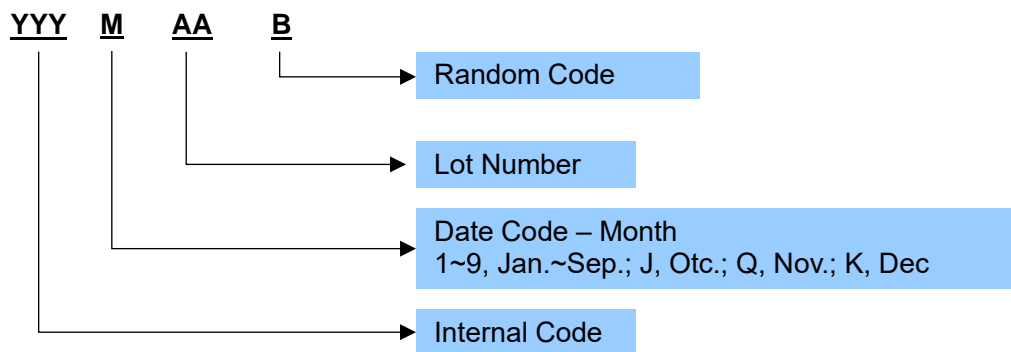
ORDERING INFORMATION

Part Number	Package Type	Marking	Operating Temperature Range	Shipping Package / MOQ
HT91808MTNR	TSSOP14 (MTN)	HT91808 YYYMAAB ¹	-40°C~85°C	Tape and Reel (R) / 3000pcs

Part Number



Production Tracking Code



¹ YYYMAAB is production tracking code

IMPORTANT NOTICE
注意

Jiaxing Heroic Electronic Technology Co., Ltd (HT) reserves the right to make corrections, modifications, enhancements, improvements, and other changes to its products and services at any time and to discontinue any products or services. Customers should obtain the latest relevant information before placing orders and should verify that such information is current and complete.

嘉兴禾润电子科技有限公司（以下简称HT）保留对产品、服务、文档的任何修改、更正、提高、改善和其他改变，或停止提供任何产品和服务的权利。客户在下单和生产前应确保所得到的信息是最新、最完整的。

HT assumes no liability for applications assistance or customer product design. Customers are responsible for their products and applications using HT components.

HT对相关应用的说明和协助以及客户产品的板级设计不承担任何责任。

HT products are not authorized for use in safety-critical applications (such as life support devices or systems) where a failure of the HT product would reasonably be expected to affect the safety or effectiveness of that devices or systems.

HT的产品并未授权用于诸如生命维持设备等安全性极高的应用中。

The information included herein is believed to be accurate and reliable. However, HT assumes no responsibility for its use; nor for any infringement of patents or other rights of third parties which may result from its use.

本文中的相关信息是精确和可靠的，但HT并不对其负责，也不对任何可能的专利和第三方权利的侵害负责。

Following are URLs and contacts where you can obtain information or supports on any HT products and application solutions:

下面是可以联系到我公司的相关链接和联系方式：

嘉兴禾润电子科技有限公司**Jiaxing Heroic Electronic Technology Co., Ltd.**

地址: 浙江省嘉兴市凌公塘路3339号JRC大厦A座三层

Add: A 3rd floor, JRC Building, No. 3339, LingGongTang Road, Jiaxing, Zhejiang Province

Sales: 0573-82585539, sales@heroic.com.cn

Support: 0573-82586151, support@heroic.com.cn

Fax: 0573-82585078

Website: www.heroic.com.cn; wap.heroic.com.cn

Wechat MP: HEROIC_JX

请及时关注禾润官方微信公众号，随时获取最新产品信息和技术资料！

